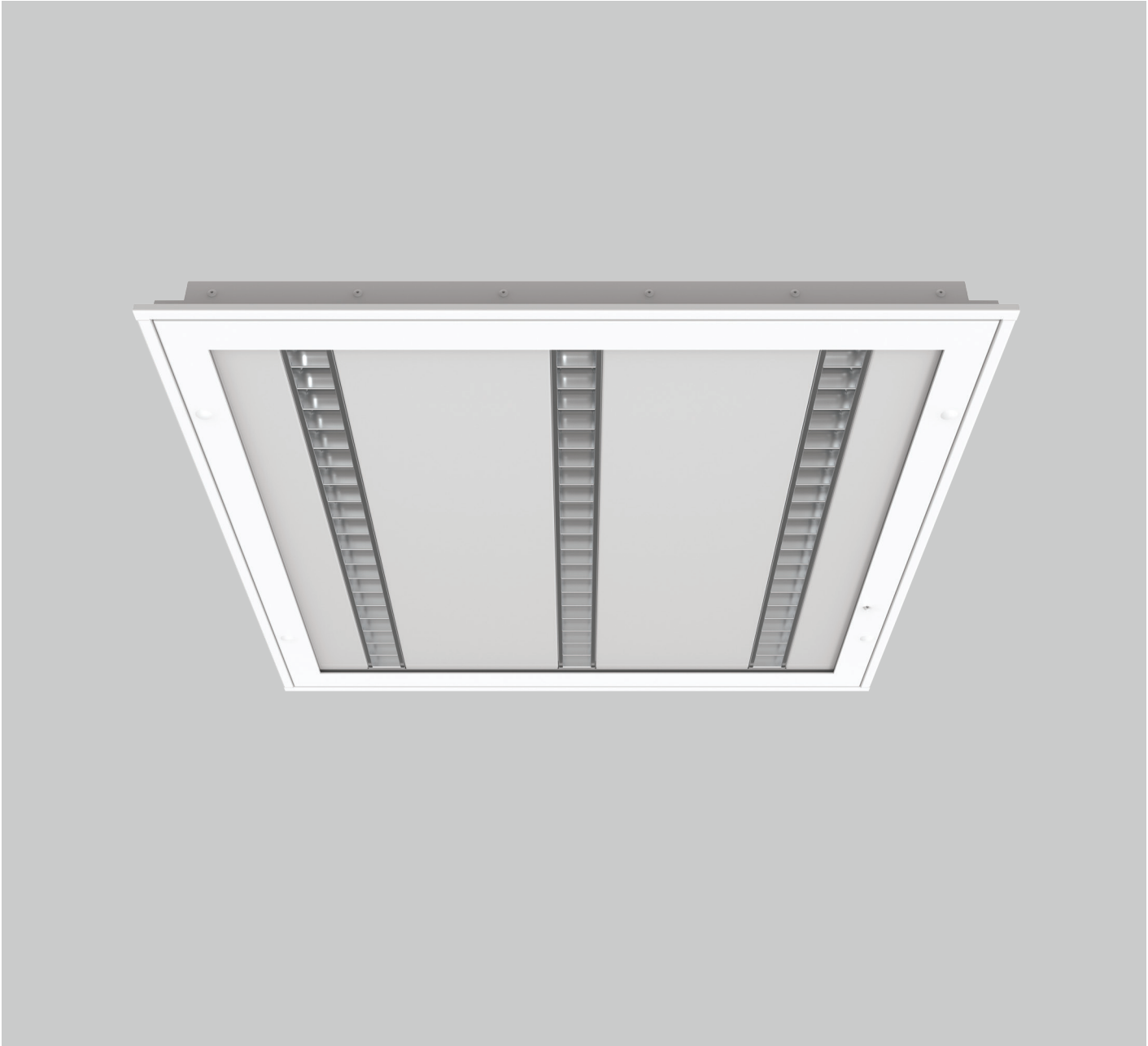


CLEANEQ 600 3PL



Square recessed cleanroom luminaire for modular or plasterboard ceiling type. Diffuser-clear tempered glass and parabolic louver optics. Top quality SMD LED modules with colour consistency MacAdams 3, extensive portfolio of lumen ranges, CCTs and spectra. Variety of drivers: standard EVG on/off, DALI, TW DT8 on request. Mounting into modular or plasterboard (GK) type of ceiling. Body is made of aluminium and steel. Standard colour RAL 9003M antibacterial paint, other colours on request. Variety of lumen outputs and drivers allows to use this luminaire in different types of lighting projects. Luminous flux & Luminaire Power tolerance up to 10%. System power consumption depends on components used. Luminous efficacy depends on type of LED's, electronics, optics and diffuser. The most up to date technical parameters can be found on our website and in database of LDT files.

Lighting direction



PDF datasheet:



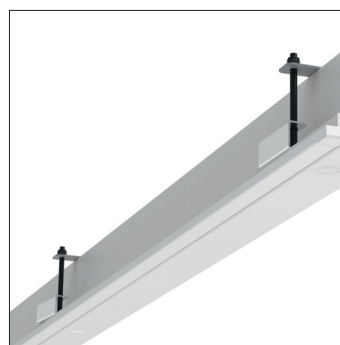
CLEaneo 600 3PL

| | |
|-------------------------------------|---|
| Mounting: | Recessed mounting into modular or plasterboard ceiling |
| Body material: | Steel and aluminium |
| Colour: | Standard white RAL 9003, other RAL colours on request |
| Lumen output: | Standard up to 6600 lm, any other on request |
| LED module: | Signify (Philips), Tridonic or equivalent SMD LED modules |
| Colour temperature: | 3000/4000K/2700-6500K TunableWhite, other on request |
| Colour Rendering: | CRI>80 in standard, other on request |
| Driver: | EVG on-off/DALI/TW DT8, other on request |
| Wireless control: | On request |
| Daylight/Occupancy sensor: | On request |
| Emergency unit: | On request |
| Operating temperature range: | 0°C ... +35°C |
| IP Class: | IP65 in standard |
| Power: | 220-240V 50/60Hz |
| Lighting direction: | Direct lighting |
| Light distribution: | Symmetric |
| Optics: | Parabolic louvers |
| Beam angle: | All types available in our LDT file database |
| Diffuser: | Clear glass |
| Warranty: | 5 Years standard warranty |

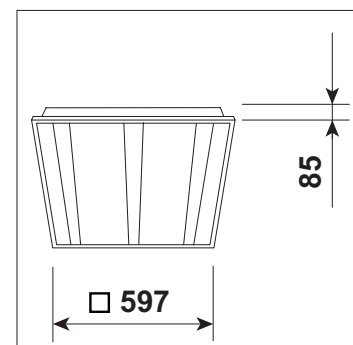
CLEaneo 600 3PL modular ceiling luminaire

CLEaneo 600 3PL GK plasterboard ceiling luminaire

All current index numbers, lumen outputs, power consumption and many other technical information are available in our 2024 pricelist.



GK plasterboard ceiling brackets



Basic dimensions